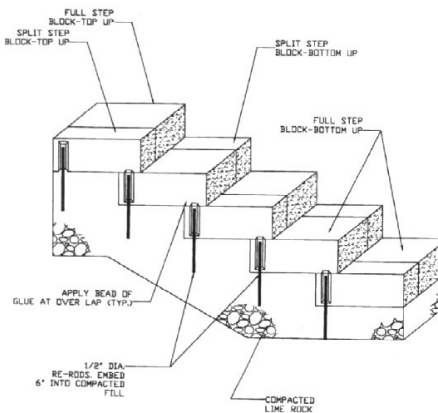
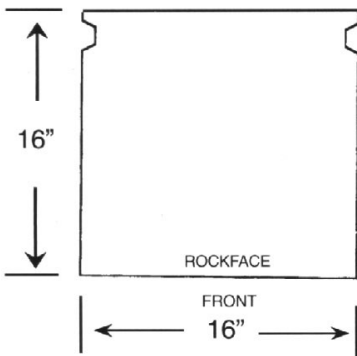


HILLCREST

RETAINING WALLS

STEP BLOCK



STEP DETAIL

SCALE: 1"=1'-0"